

# TRIPOD TURNSTILE CENTURION - M

Centurion-M turnstile access control solution featured with the most space-saving dimensions in combination to affordable price level.



MOST POPULAR MODEL: THOUSAND OF TURNSTILES  
IN DIFFERENT GENERATIONS WERE SOLD ROUND THE WORLD



FREE ACCESS



CROSSING CAPACITY



PASSAGE WIDTH



PROTECTIVE LEVEL 41-54\*



DROP-ARM



MOTORIZED



BI-DIRECTIONAL

## Advantages

- Bi-directional motorized tripod turnstile with panic / bar drop-arm function
- High quality at a cost effective price
- Integration with any type of access control and ID systems
- Low power consumption
- Panic / bar drop-arm function with automatic reset
- Whisper quiet, low noise operation
- Optional indoor or outdoor housing types
- Wide range of accessories
- Availability of a backup battery connection
- Complete supply set as a standard

## Standard

- 4 LED indicators
- Wired remote control
- Supply of backup battery power connection
- Anti-panic function with automatic reset

## Options

- Any additional devices upon request (e.g. passage counter, RFID/Proximity/BioMetric readers, coin acceptor, push button, barcode and QR-code reader)
- Heating function for external installation (for cold climates)
- Cooling system
- Tripod Twin modification is available
- Dummy housings can be mounted adjacent to tripod turnstile

\* first figure is standard, all other available upon request.



www.tiso.global  
+380 (44) 291-21-11  
e-mail: sales@tiso.global



### Technical Specifications:

Unit width, mm	847
Unit length, mm	793
Unit height, mm	1000
Mechanism	Motorized

#### Controlled by:



access control system;



push button control unit

#### Electrical Specifications:

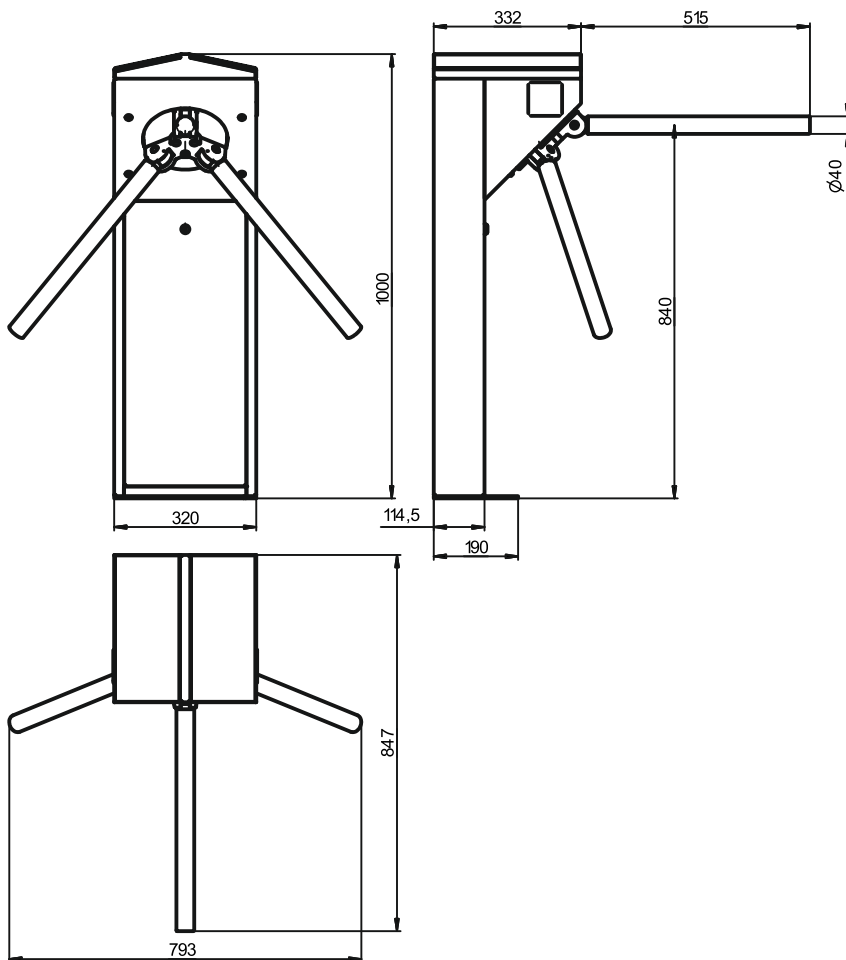
- Voltage:
  - from the AC (100-240)V, 50/60Hz;
  - from a DC source 12 V;
- Maximum power consumption 55W per pass;

#### Ambient temperature range:

- Standard +1°C to +40°C, up to IP41
- Optional -20°C to +55°C, up to IP54

#### Materials

Standard housing	Brushed SS AISI 304
Available housing	Brushed SS AISI 316 Polished SS AISI 304 Polished SS AISI 316 Powder coated RAL
Tripod hub	Cast aluminum with grey painted finishing



#### Installation areas:

- Governmental Institutions
- Military Bases
- Nuclear Power Plants
- Production sites (Industrial Plants)
- Commercial areas
- Financial institutions
- Airport Premises
- Business (Office) Centers
- Hotels
- Sport Complexes
- Recreation areas
- Urban areas
- Education Institutions
- others



www.tiso.global  
+380 (44) 291-21-11  
e-mail: sales@tiso.global

